

▶ cast film lines

SML
EXTRUSION LINES – ENGINEERED TO PERFORM ▶

▶ **HYGIENE FILM**



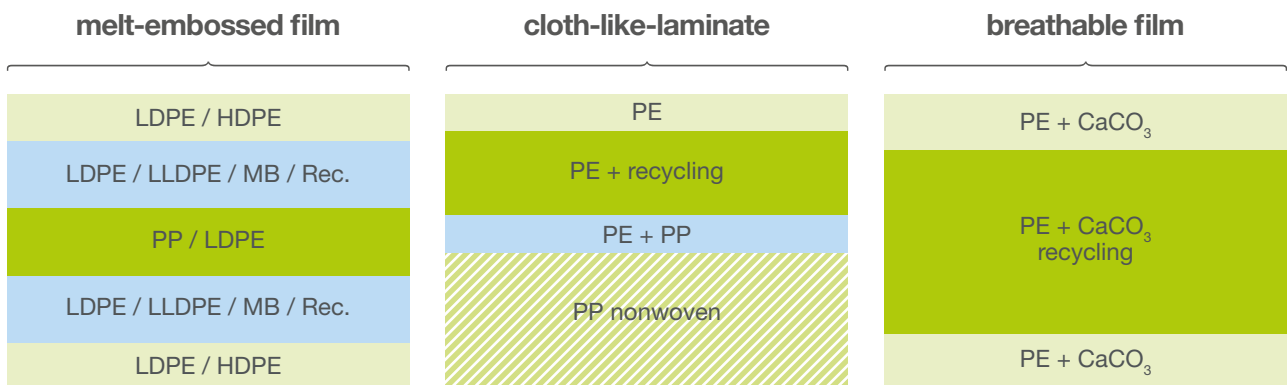
**Extrusion lines –
engineered to perform**

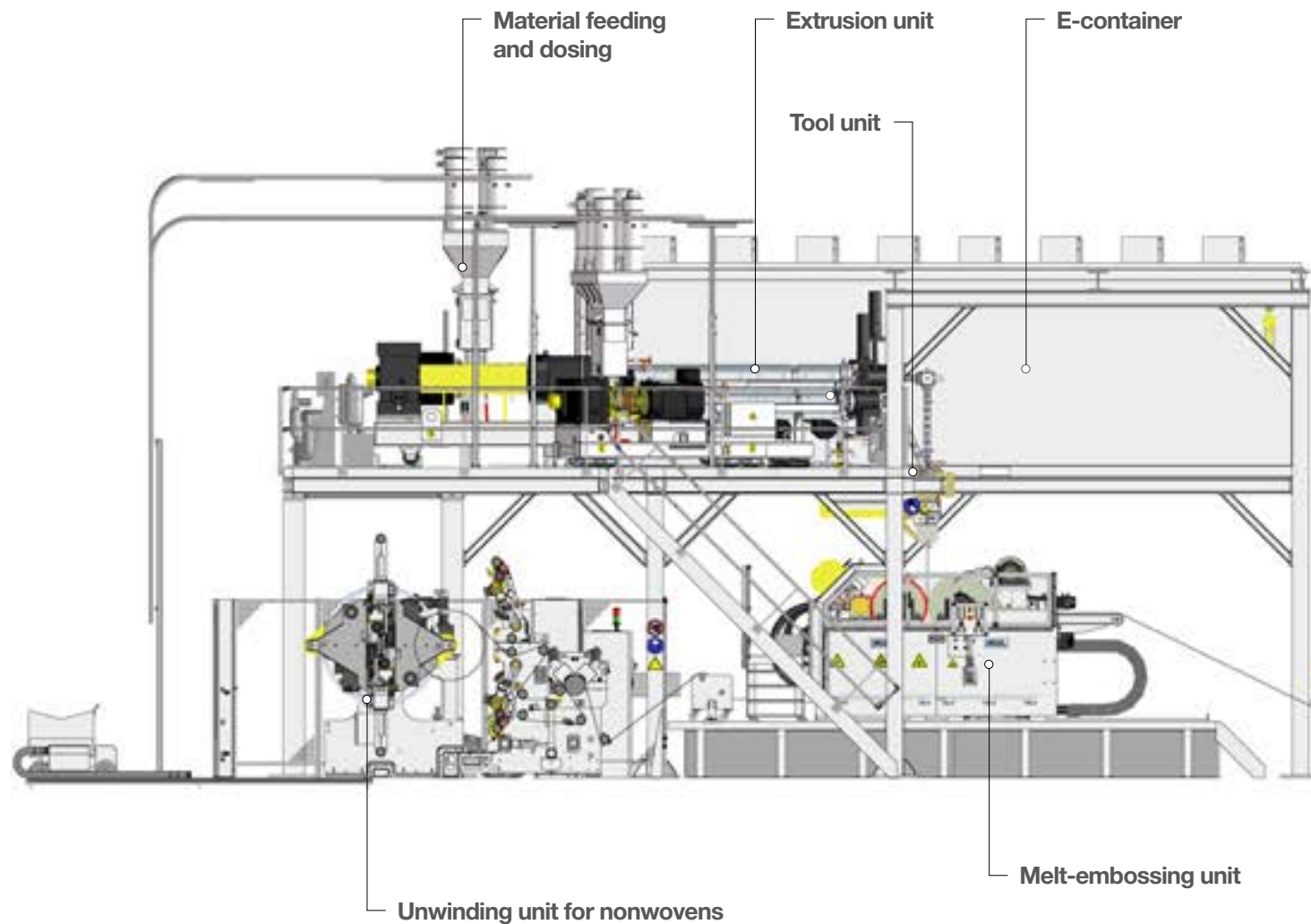
Various hygiene products on a single line

With SML's cast film line it is possible to produce breathable film, melt-embossed film and cloth-like laminate. Due to the modular design, "all-in-one" solutions can be implemented that cover all of these types. In any case, the entire equipment is highly customisable.

Key Features

- 3 different products on one line
- Soft touch films with the melt-embossing unit
- Sophisticated MDO units
- Winding system for big mother rolls and part bobbins



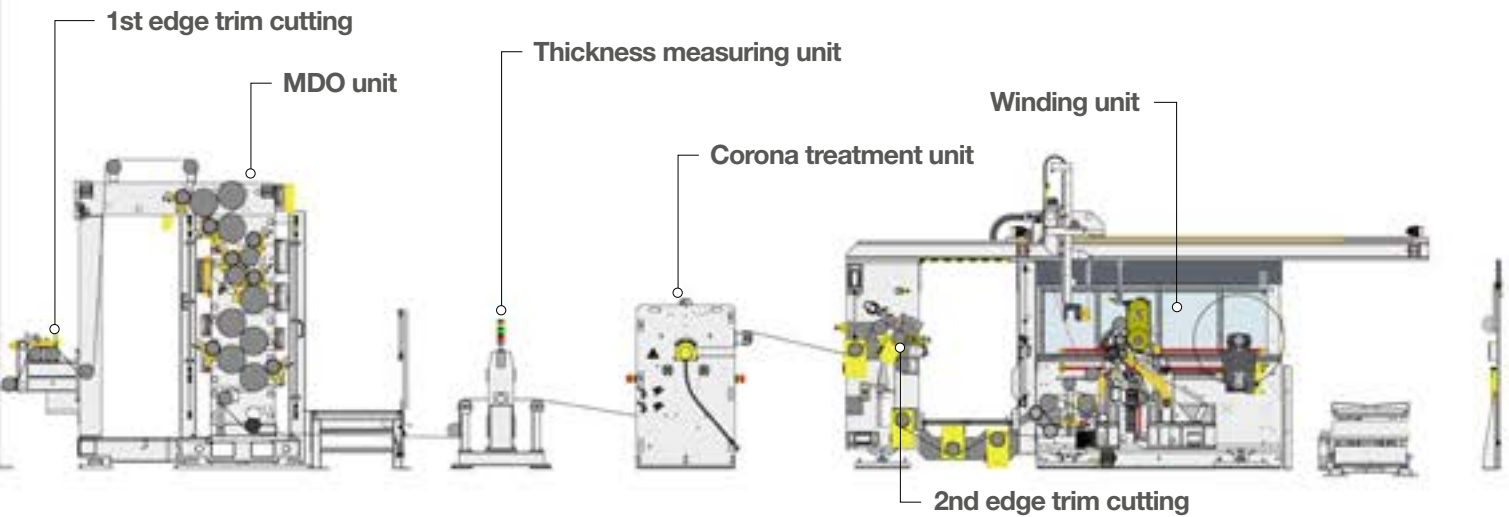


PRODUCT SPECIFICATIONS

- ▶ Film weight 10 – 40 g/m²
- ▶ Number of layers 3 - 5
- ▶ Number of extruders 2 - 3
- ▶ Output range up to 1,500 kg/h
- ▶ The number of extruders and layers depends on the application
- ▶ Maximum mechanical line speed 400 / 500 m/min

Dimensions:	
H	7 – 8 m
L	28 – 33 m
W	10 – 12 m

* The dimension numbers are guiding values.



EXTRUSION UNIT

- ▶ Material drying unit for breathable film production
- ▶ Gravimetric dosing system
- ▶ Extruder diameter 60 – 150 mm
- ▶ Hydraulic filter
- ▶ Fixed geometry or variable geometry feedback
- ▶ Automatic single manifold die
- ▶ Die splitting system

STRETCHING UNIT FOR BREATHABLE FILM

- ▶ Pre-heating station with up to 4 rolls
- ▶ Stretching station with 2 rolls and nip rolls
- ▶ Annealing station with up to 5 rolls
- ▶ Cooling roll
- ▶ Automatic film treating unit in the MDO unit
- ▶ Each roll individually driven
- ▶ Each roll individually temperature controlled
- ▶ Discrete PLC unit for the MDO unit

MELT-EMBOSSING UNIT

- ▶ Dry-melt-embossing process
- ▶ Pressure roll Ø 700 mm with two surface cooling rolls
- ▶ Embossing roll Ø 800 mm
- ▶ Secondary cooling roll Ø 400 mm
- ▶ Whole unit vertically and horizontally adjustable
- ▶ Thickness measuring system Beta- or X-ray sensor
- ▶ Cut-resistant and high grip guiding rolls

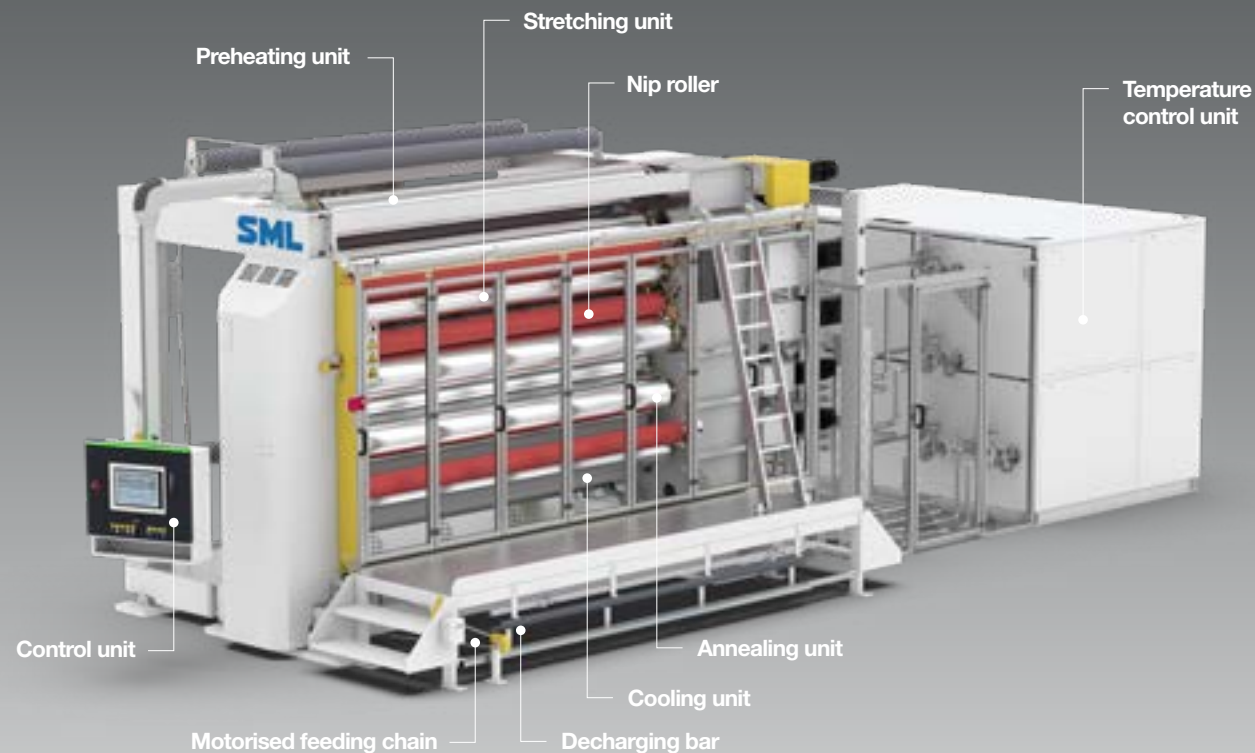
DOWNSTREAM EQUIPMENT

- ▶ Automatic turret unwinder for nonwovens for the production of cloth-like laminates
- ▶ Edge trim cutting before MDO or corona treatment
- ▶ Corona treatment unit single side or single side reversible or double sided
- ▶ Film inspection system
- ▶ Refeeding of all the edge trims to the inline recycling unit and refeeding of the recycling material to the main extruder

WINDING UNIT

- ▶ Horizontal sliding winder for the production of inline slitted rolls and mother rolls on 3-inch and 6-inch winding shafts
- ▶ Max. roll diameter 1,300 mm at 6-inch winding shafts full width
- ▶ Fully automatic shaft and core handling system
- ▶ Oscillation of the winder

MACHINE DIRECTION ORIENTATION (MDO) UNIT





Effects that you can feel and see

Hygiene backsheet films are functional components of babies' diapers, sanitary napkins, incontinence pads, changing pads and protective clothing. Melt-embossed films are even used for niche products like mulch films or roofing underlay films.



▶ **Take advantage
of our global
leadership in
extrusion
technology.**

**ANALYSES
DEVELOPMENT
PRE-TESTED PERFORMANCE
DELIVERY ON TIME
SERVICE SUPPORT
CUSTOMER SATISFACTION**

SML
EXTRUSION LINES – ENGINEERED TO PERFORM ▶

SML - Head Office

Gewerbepark Ost 32
4846 Redlham
Austria
Phone: +43 7673 90999
E-mail: sml@sml.at
www.sml.at

SML - Machinery Far East Sdn Bhd

(1029958-P)
1201 Block B, Menara Amcorp
No.18 Jalan Persiaran Barat
46050 Petaling Jaya
Selangor Darul Ehsan,
Selangor, Malaysia
Phone: +60 3 7955 9098
E-mail: yen@sml.at

SML - Beijing Office

Unit 1410, Landmark Tower
No. 8 North Dongsanhuan Road
Chaoyang District
100004 Beijing, P.R. of China
Phone: +86 10 6590 0946
E-mail: sml@sml.bj.cn

**SML - North America
Service, Inc.**

Suite 204
85 Eastern Avenue
Gloucester MA 01930
USA
Phone: +1 978 281 0560
Mobile: +1 978 394 1553
E-mail: jom@sml.at



www.sml.at